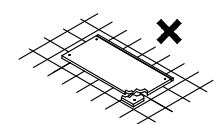
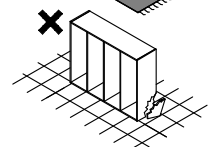
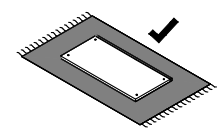
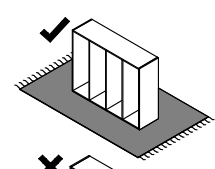
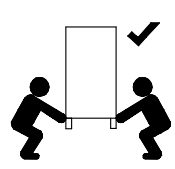
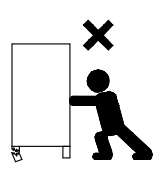
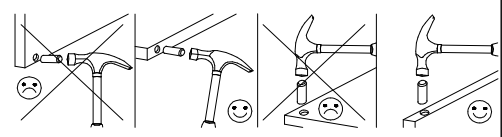
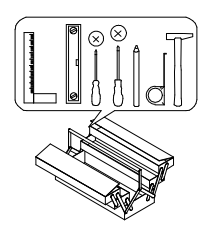
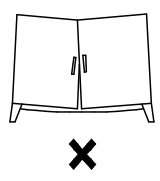
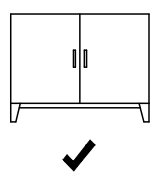
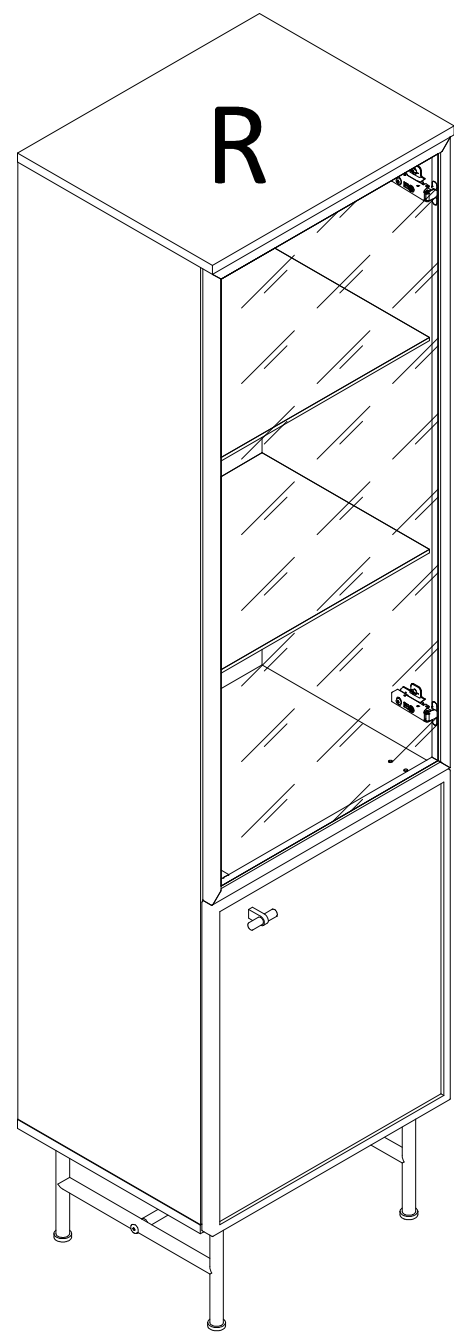
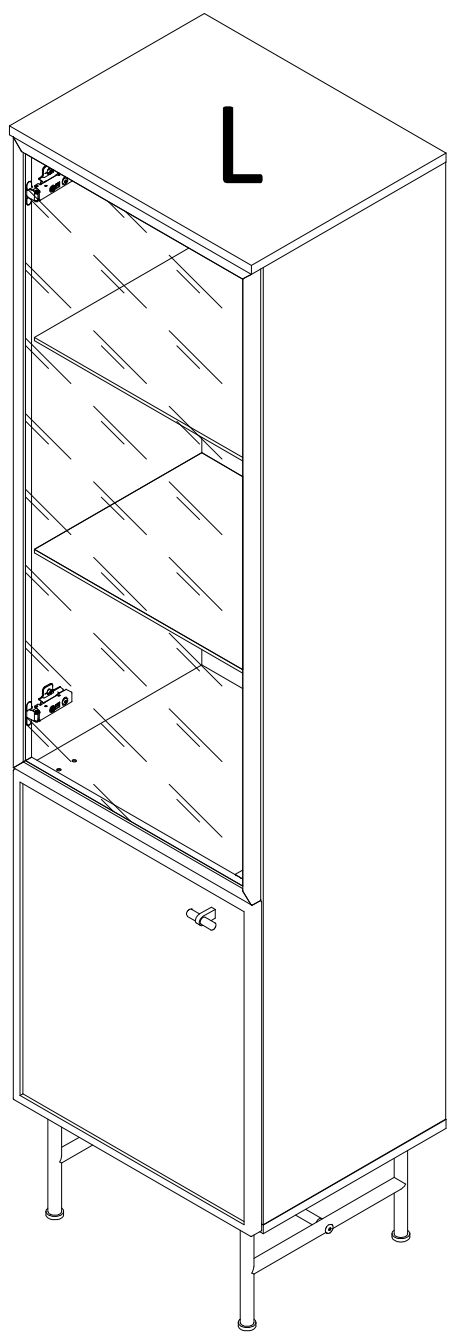
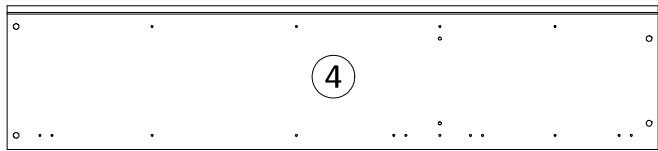


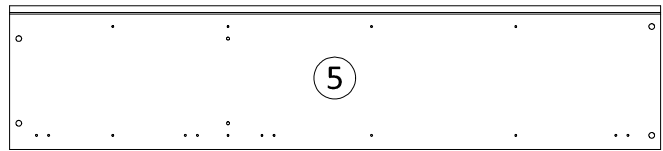
# ELORA

## R-3

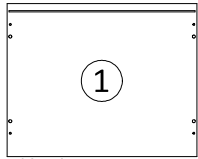




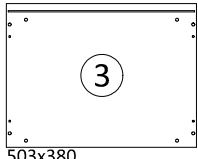
1724x380



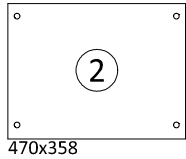
1724x380



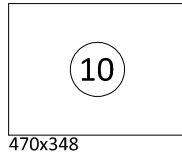
503x405



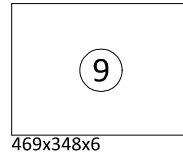
503x380



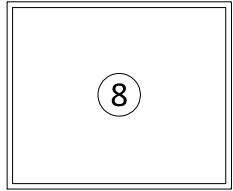
470x358



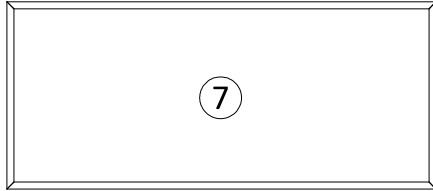
470x348



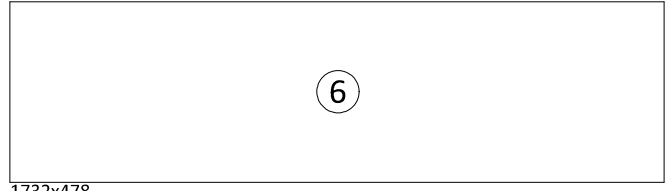
469x348x6



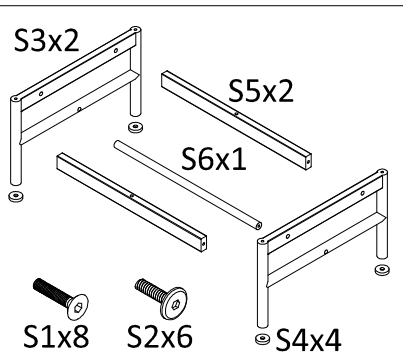
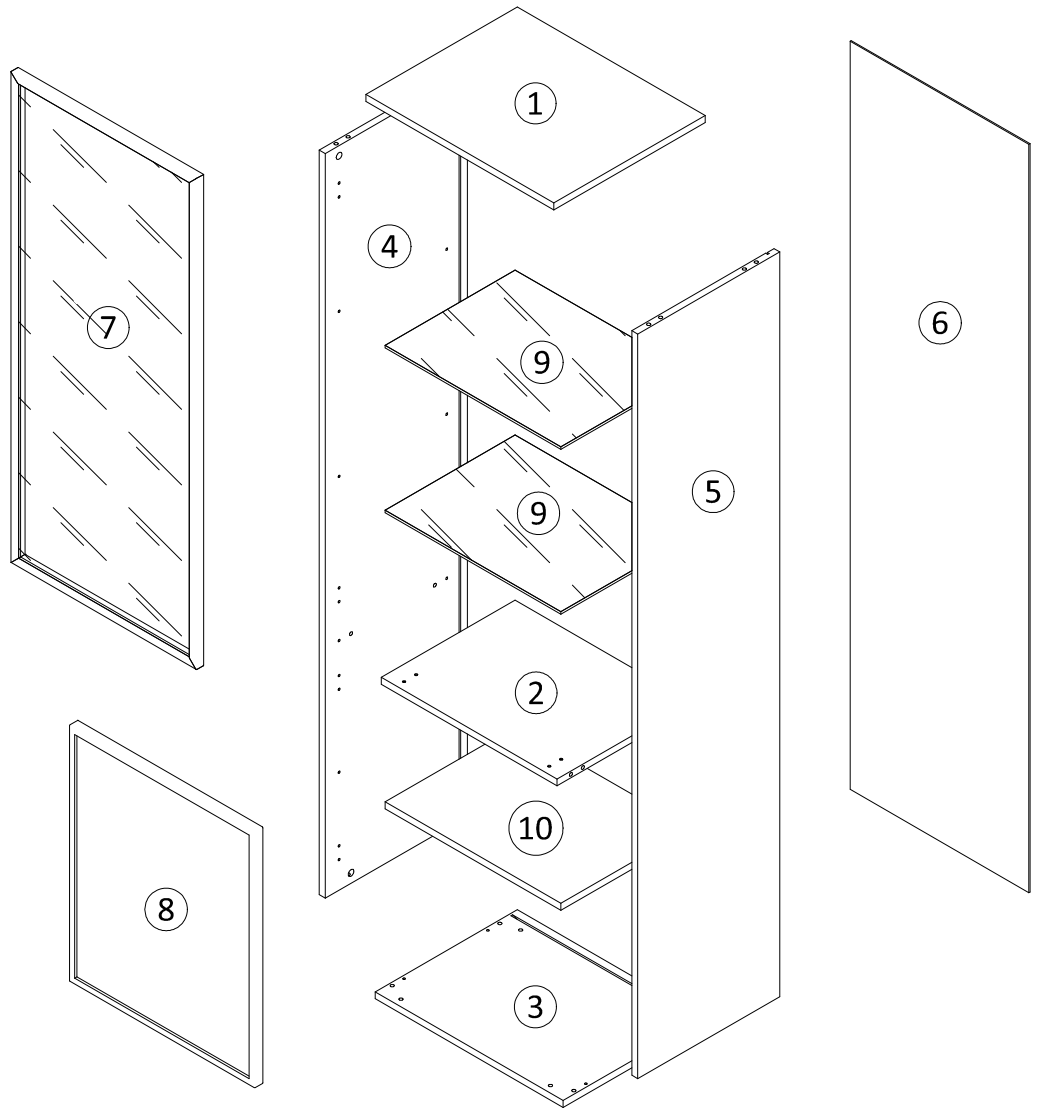
594x496



1137x496

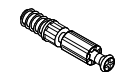
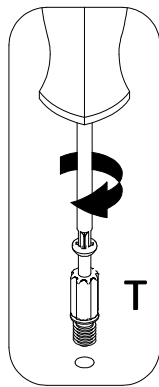


1732x478



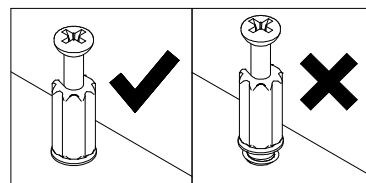
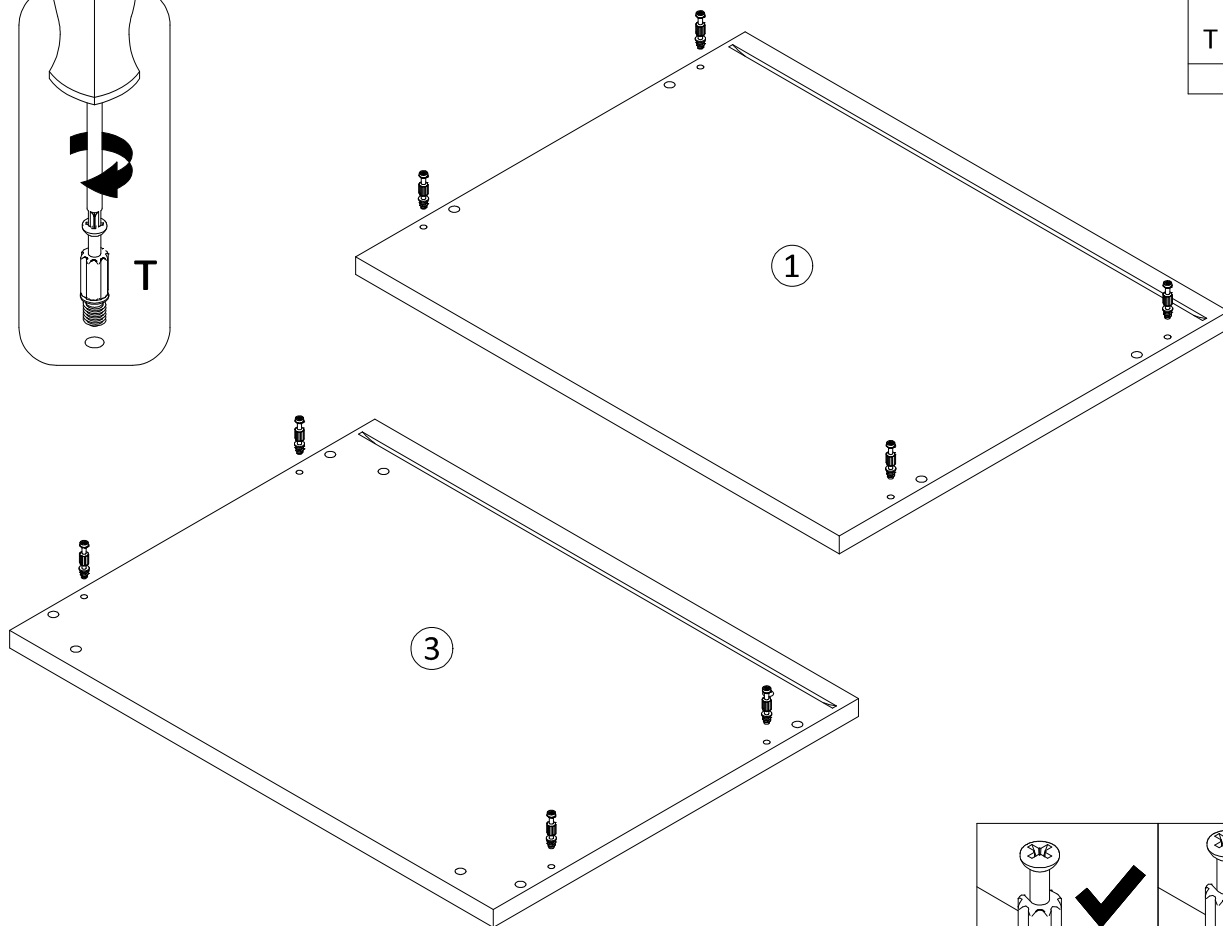
<p>4x45 W7</p>	<p>PZ</p>	<p>Z1</p>	<p>PH</p>	<p>ZH</p>	<p>8x30 K</p>	<p>15/12 M</p>	<p>L20,3 T</p>		
2x	2x	2x	2x	2x	12x	12x	12x		
<p>3.5x16 W2</p>	<p>TP</p>	<p>U</p>	<p>P</p>	<p>PO</p>	<p>ZM</p>	<p>ZK</p>	<p>S</p>	<p>2x20 G</p>	<p>PS</p>
6x	1x	1x	4x	8x	12x	4x	8x	5x	1x

1

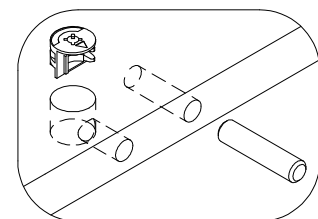
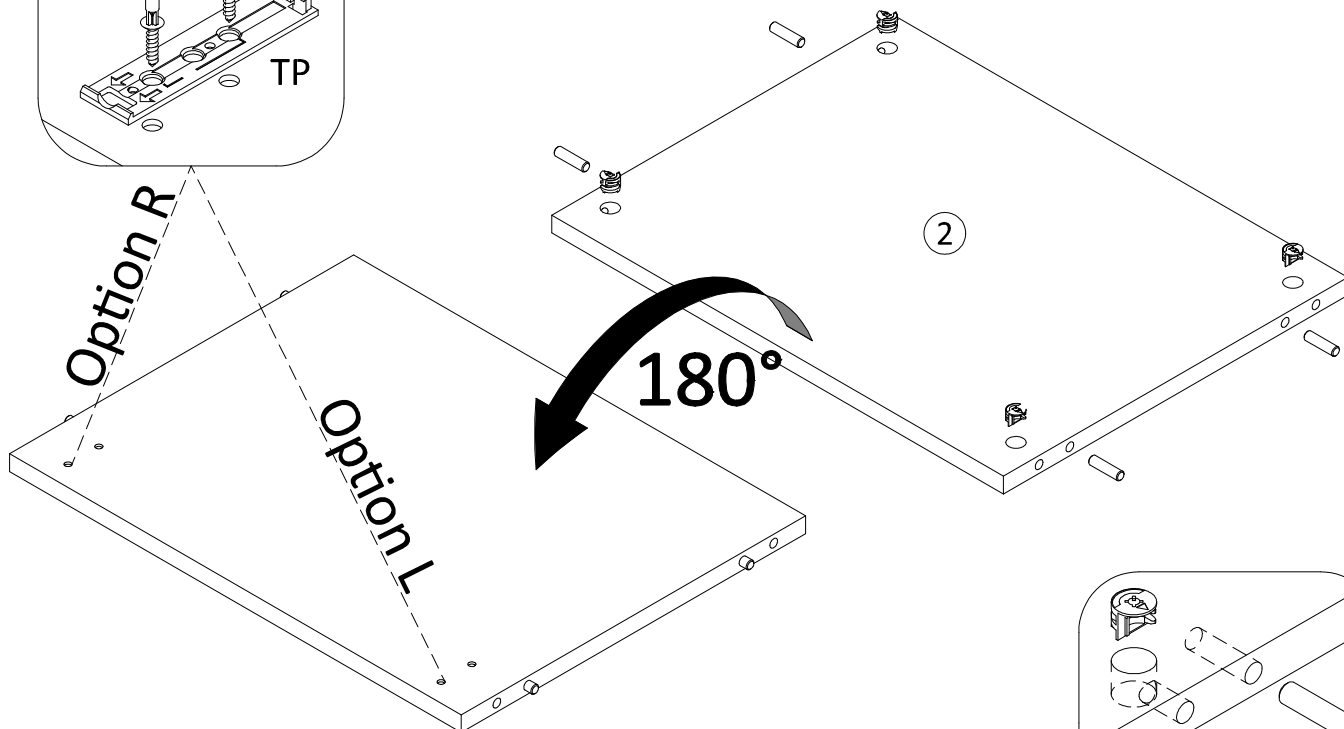
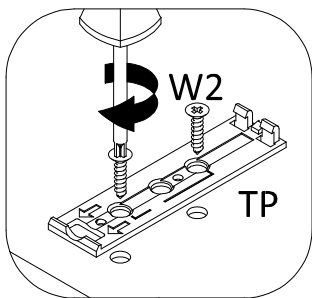
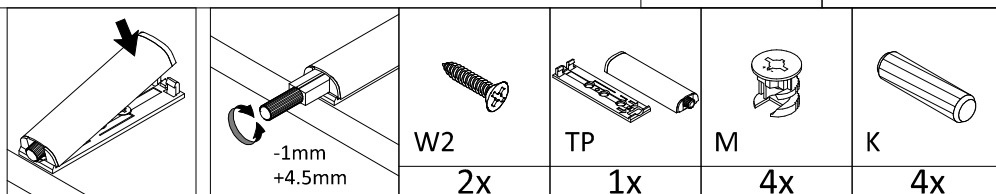


T

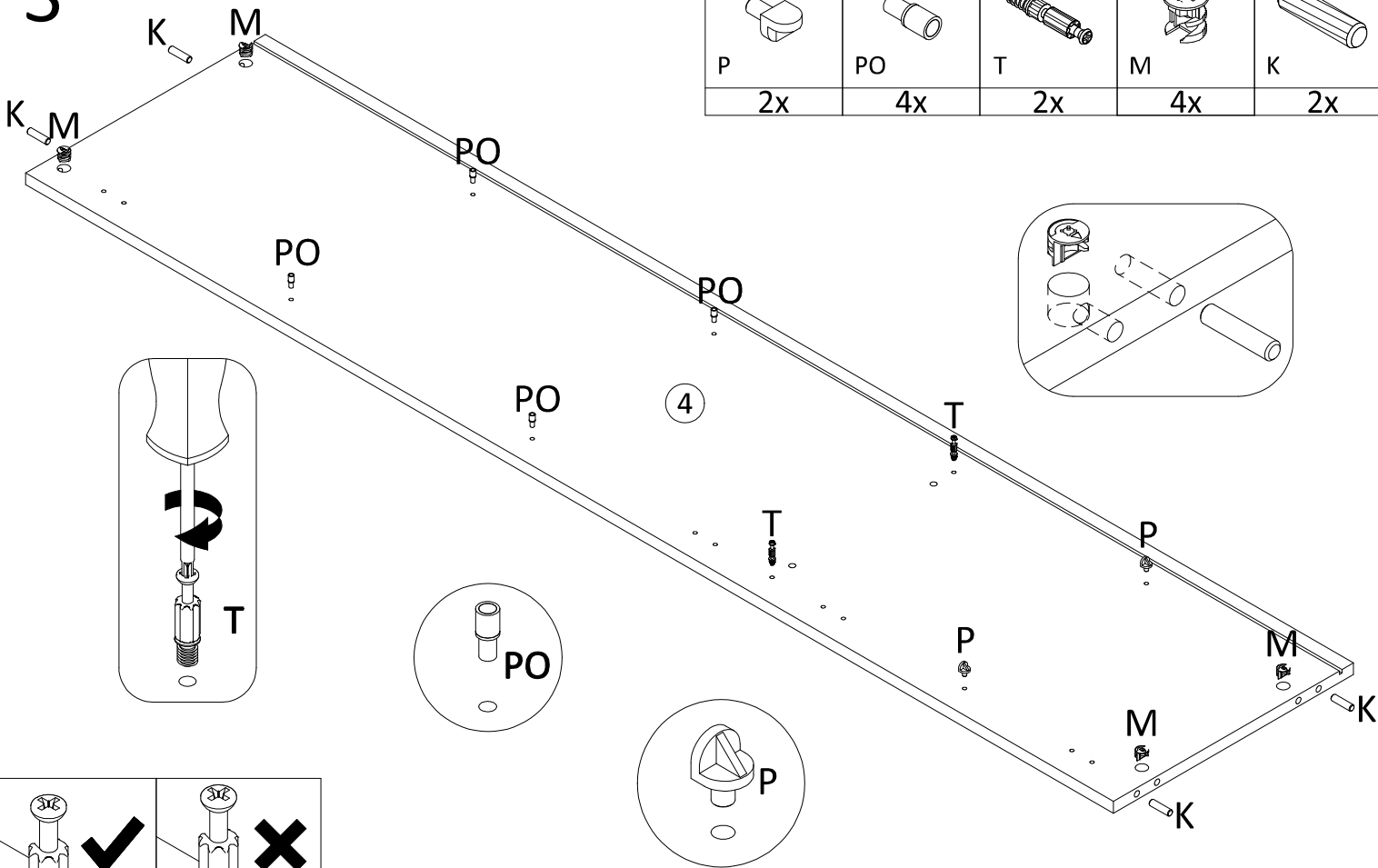
8x



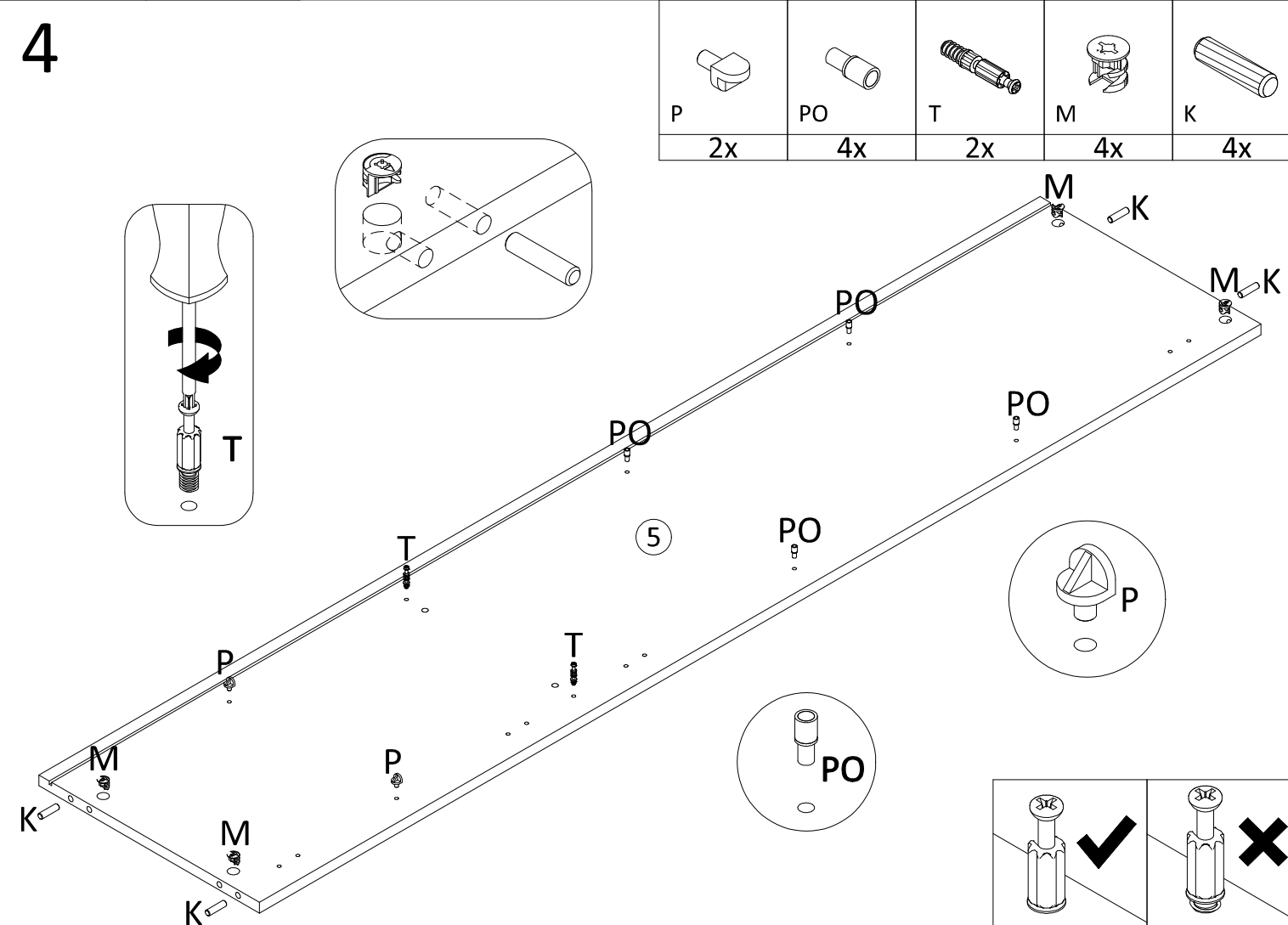
2



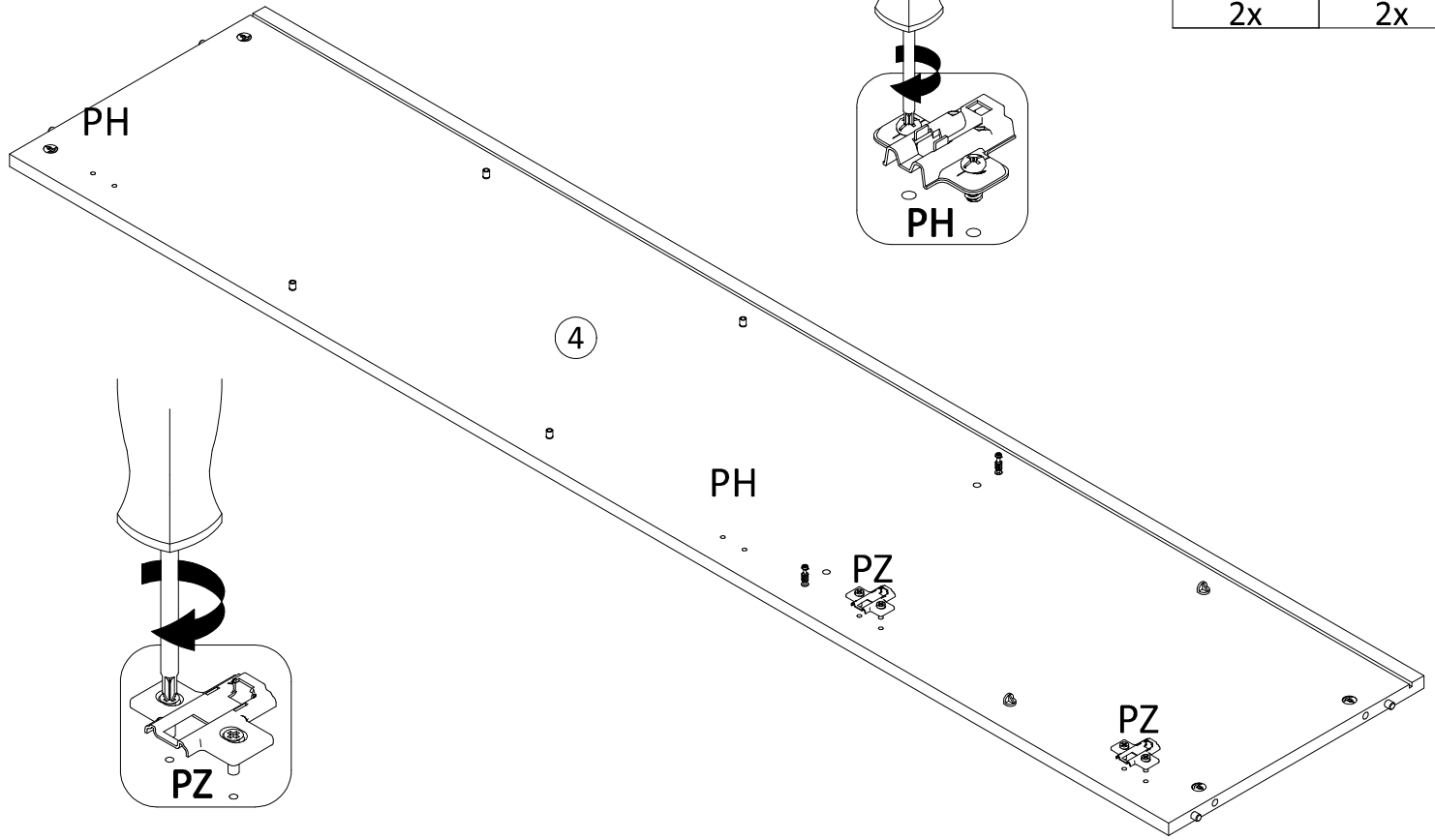
# 3



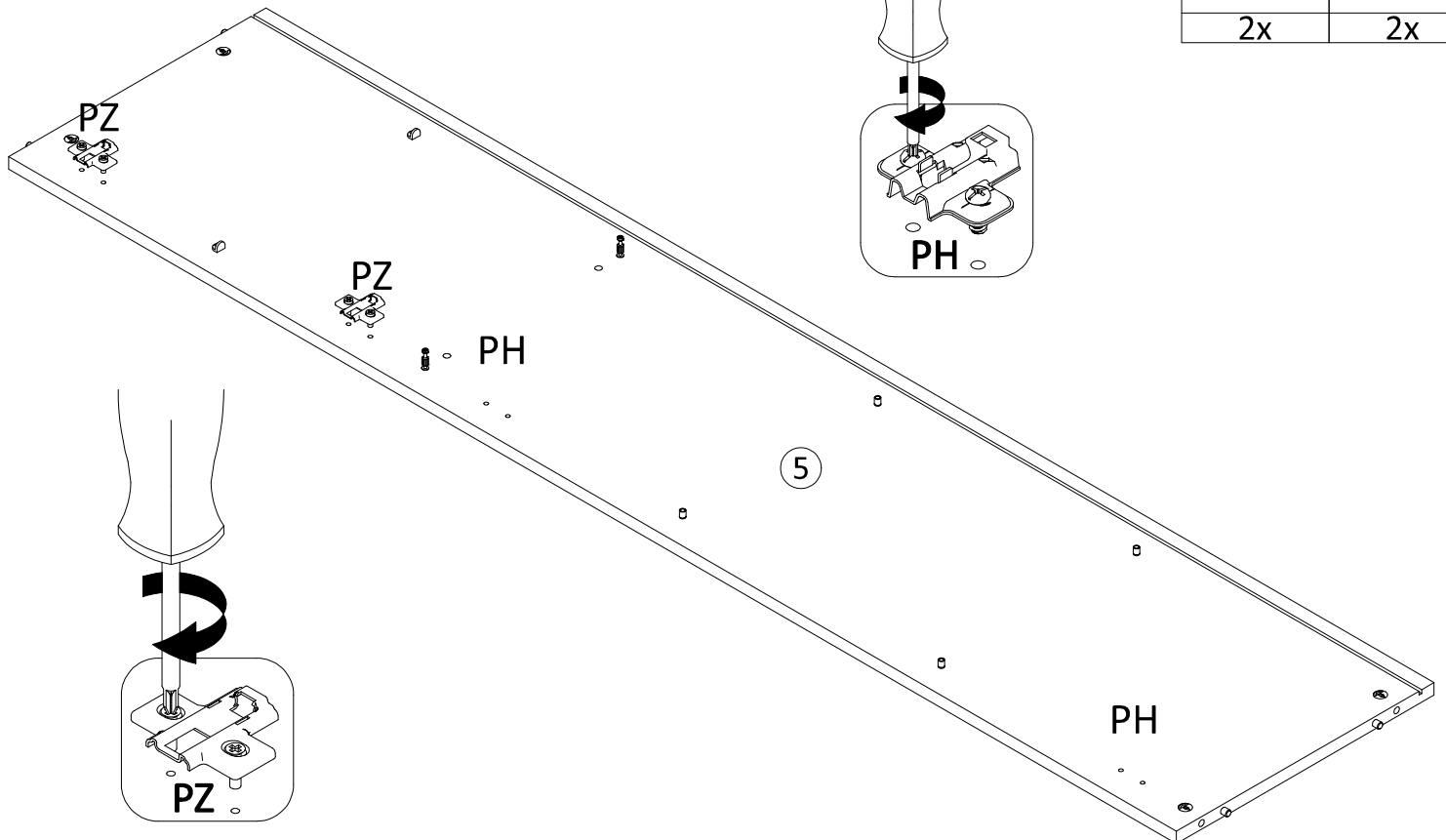
# 4



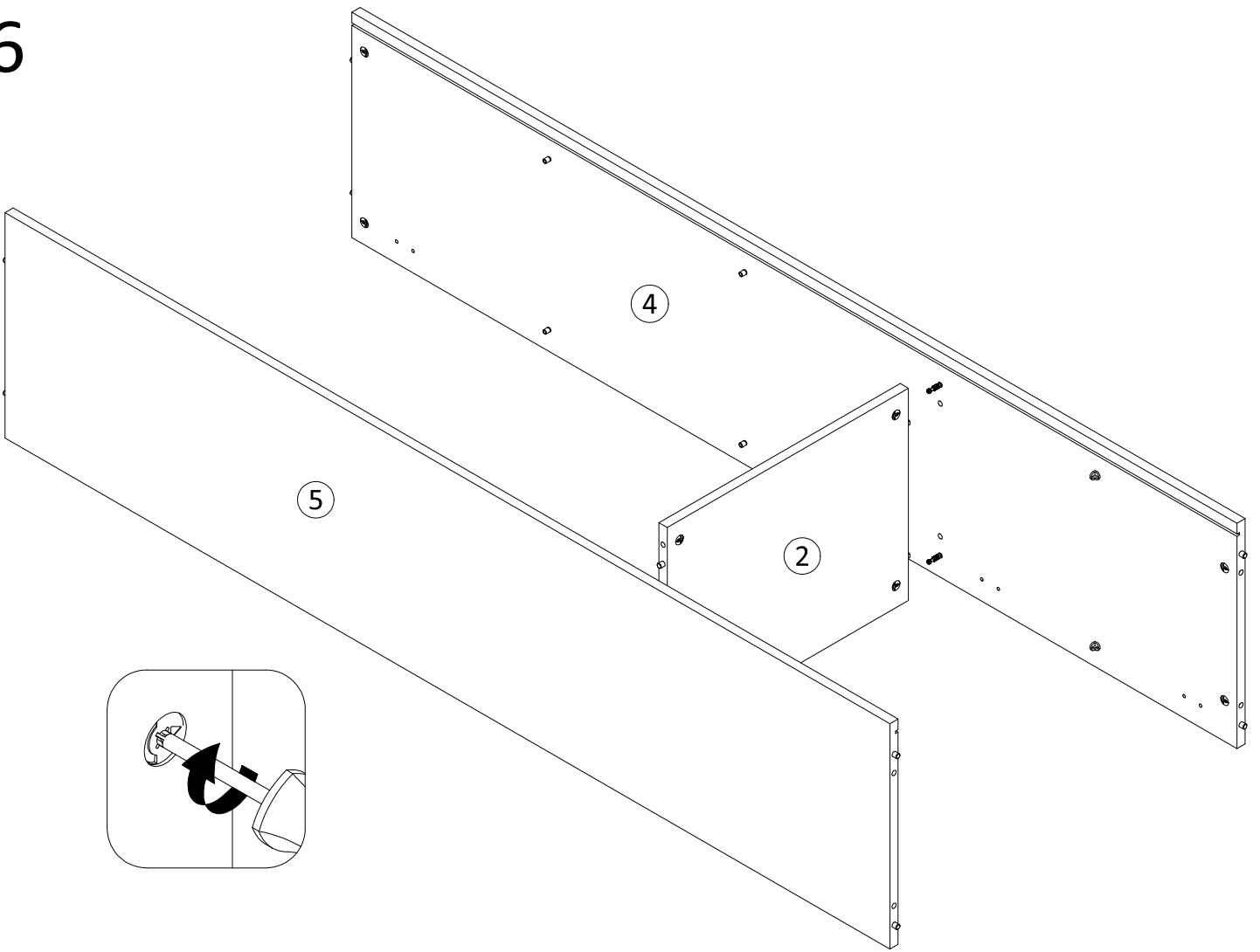
# 5 Option L



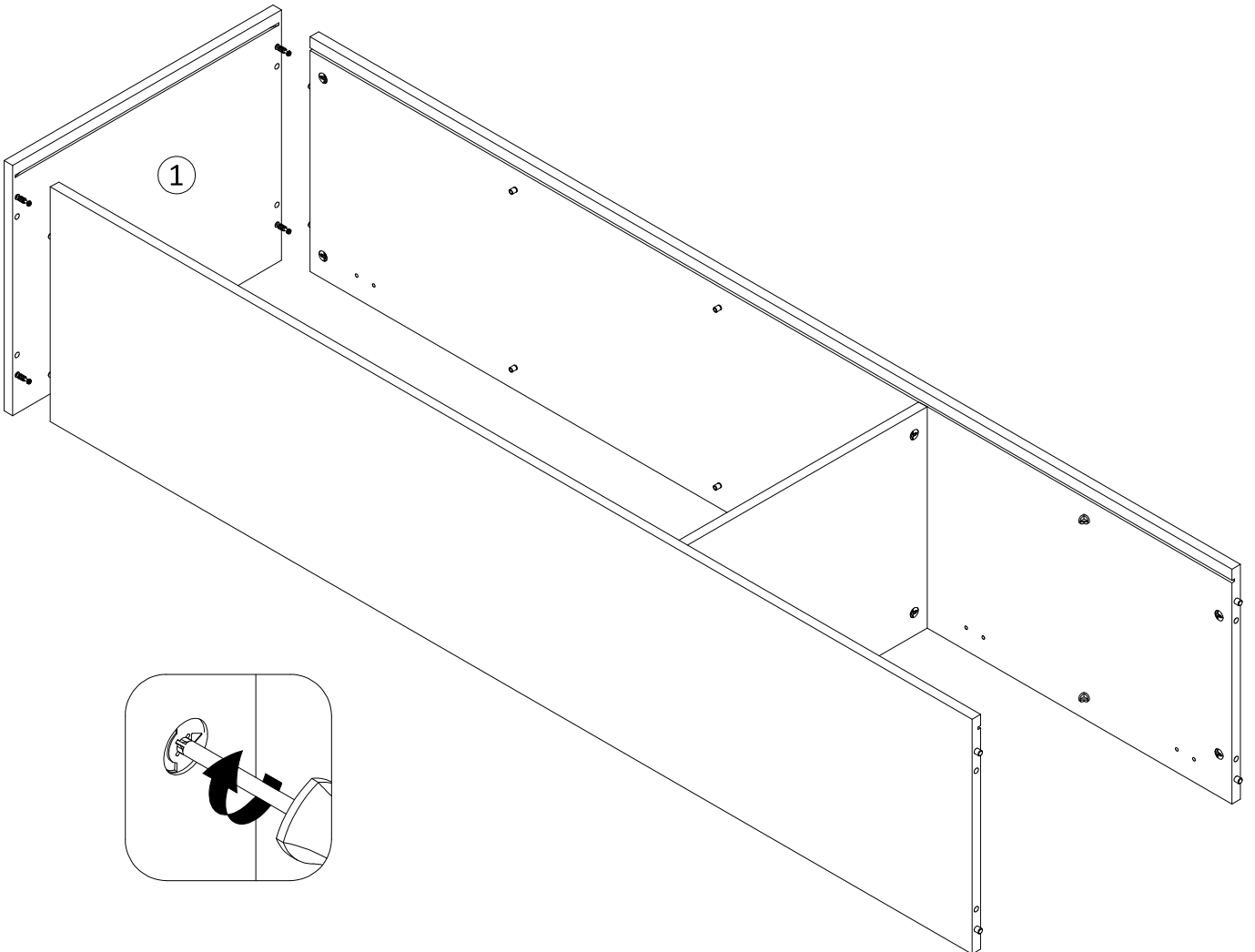
# 5 Option R



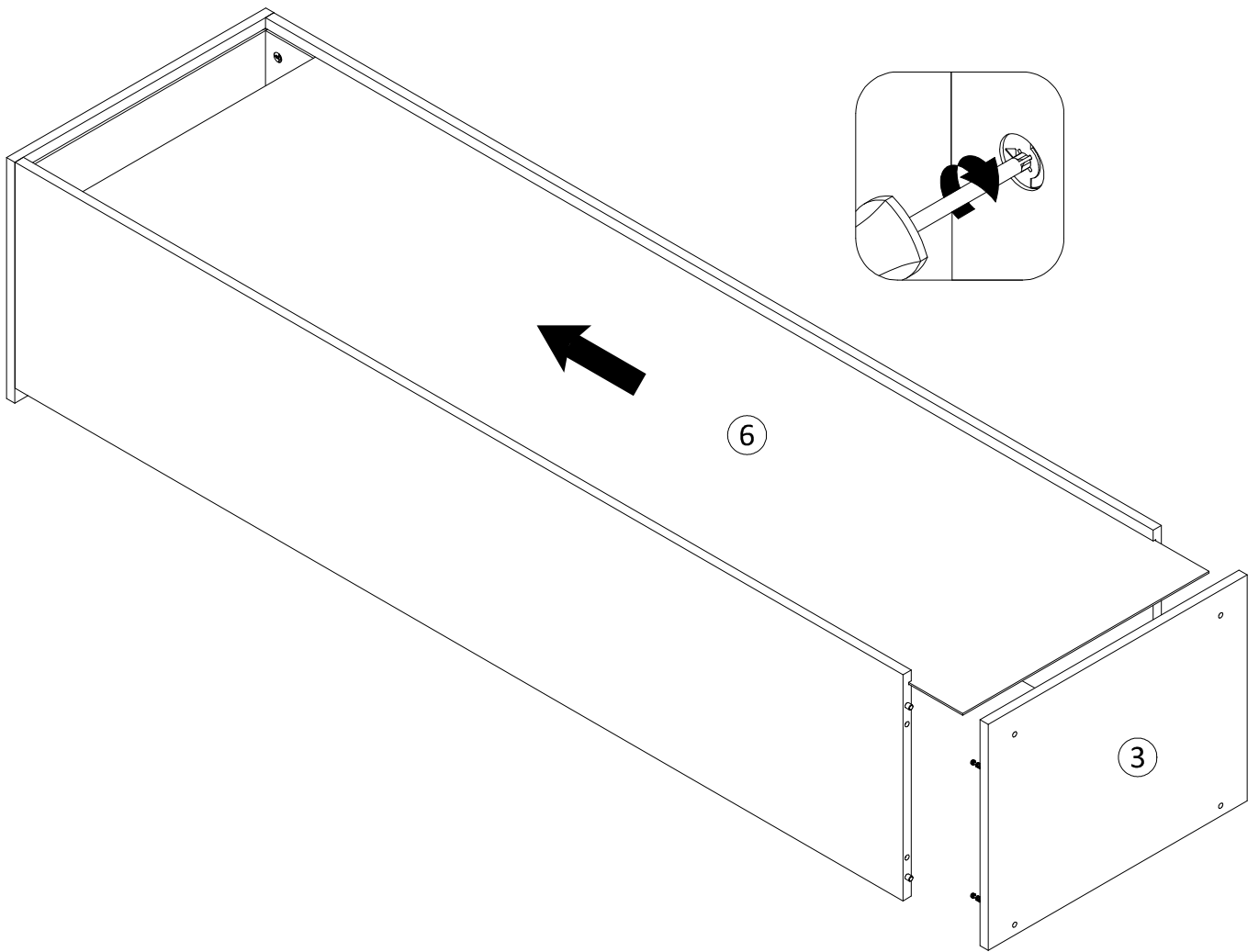
6



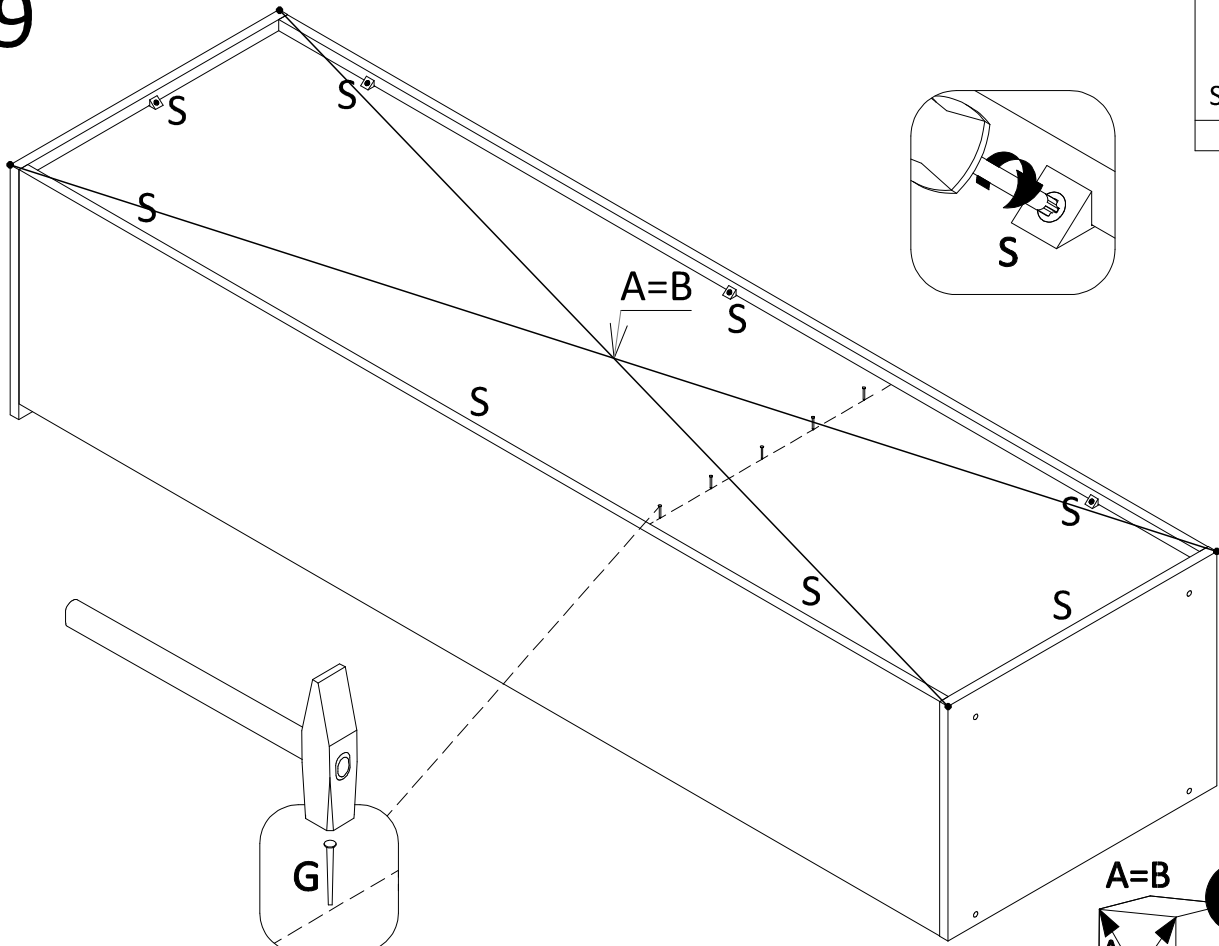
7

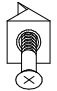
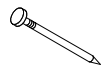


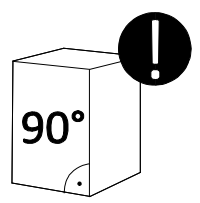
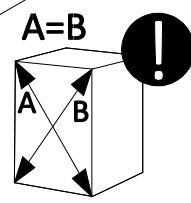
8



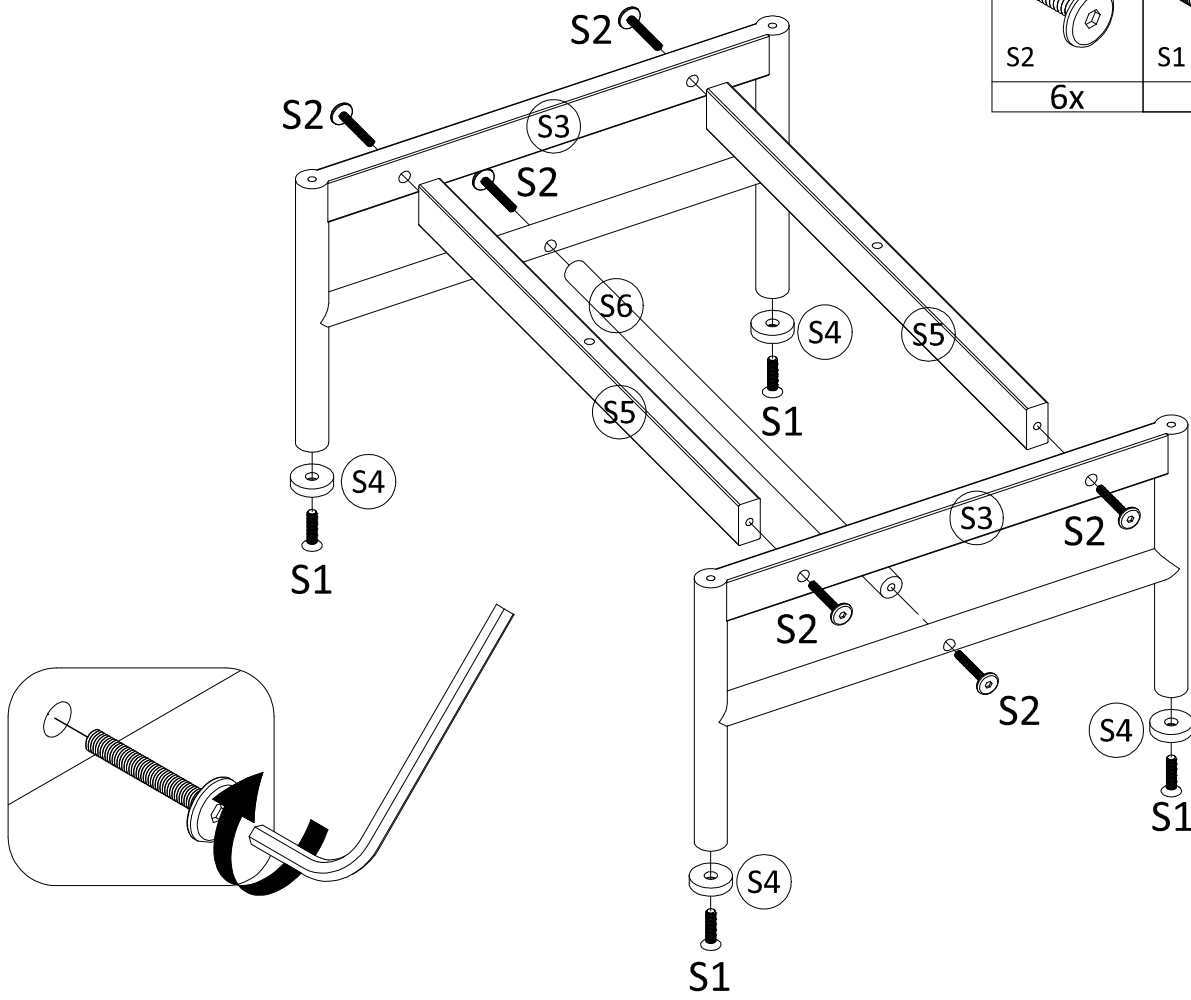
9

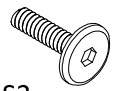
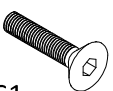
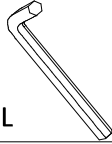


	
S	G
8x	5x

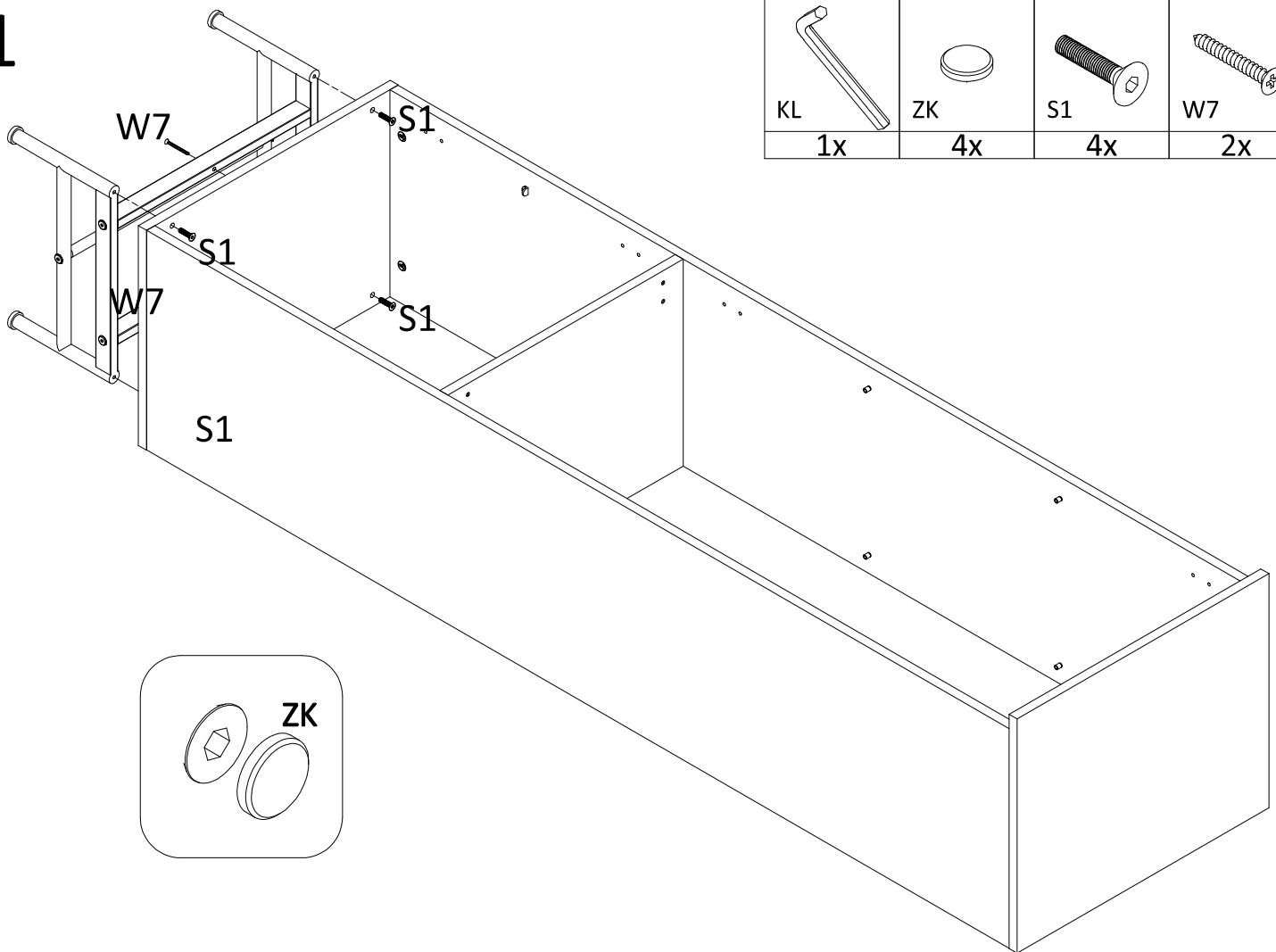


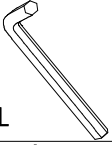

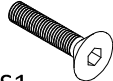

# 10



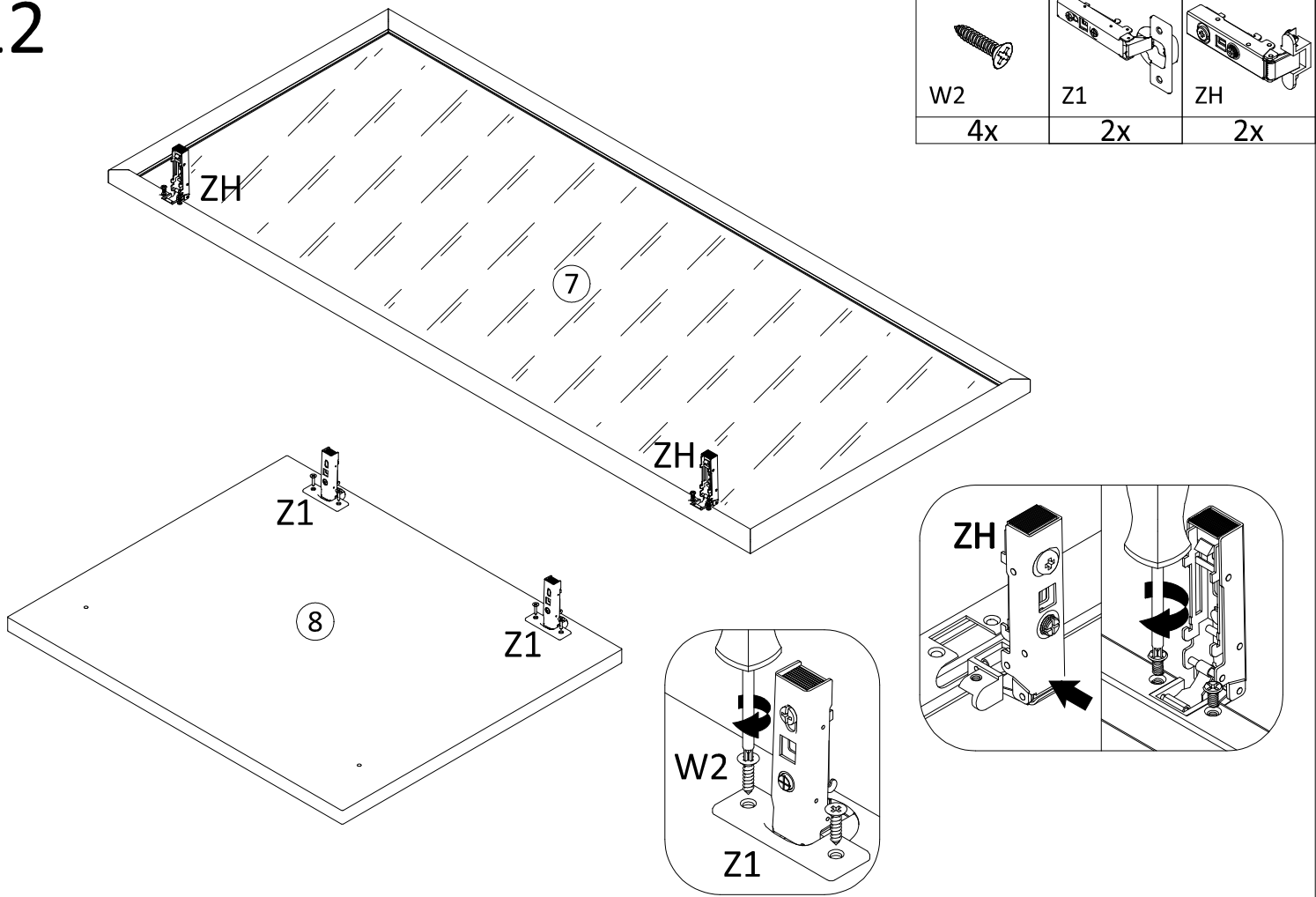
		
S2	S1	KL
6x	4x	1x

# 11

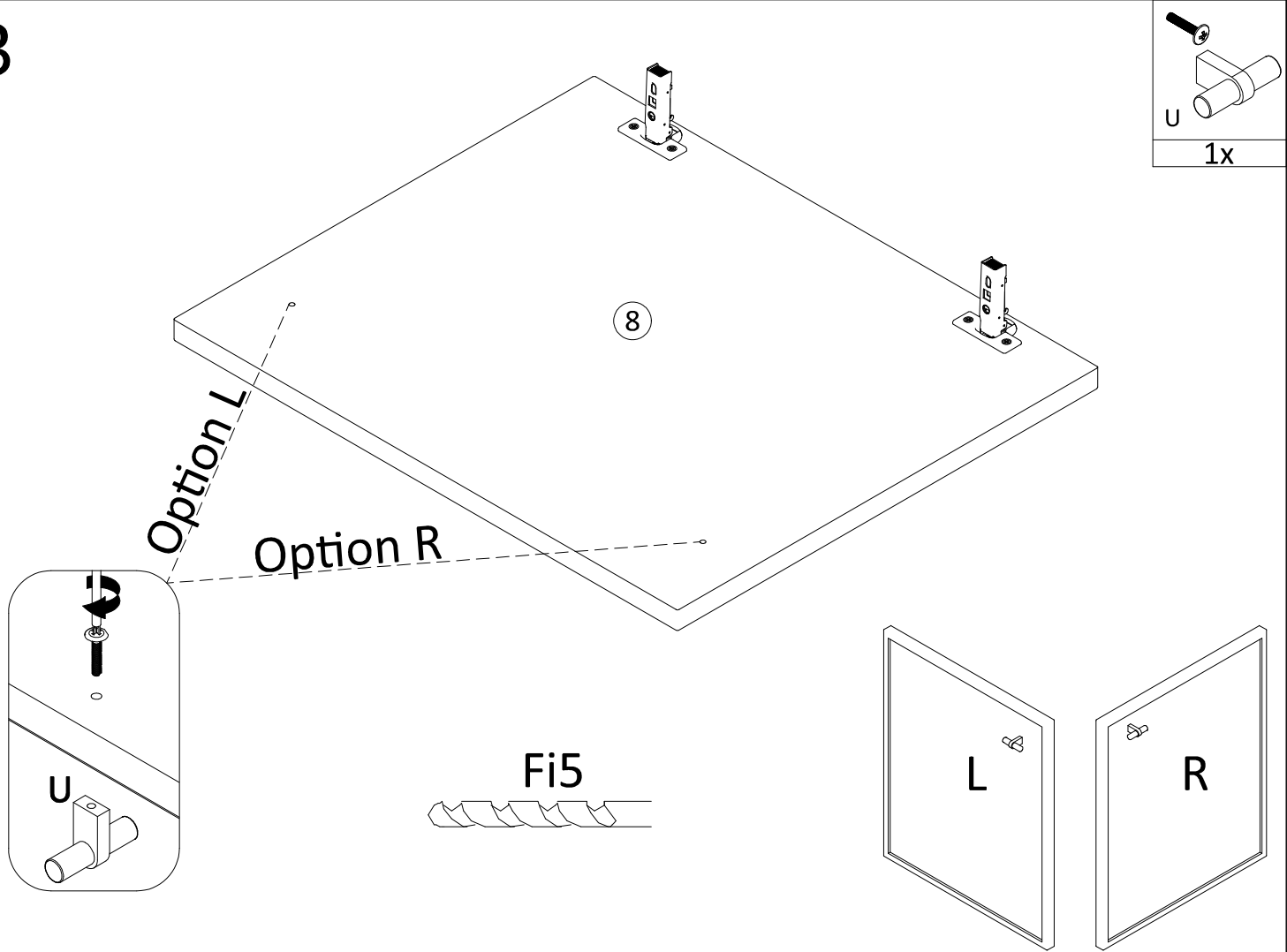


			
KL	ZK	S1	W7
1x	4x	4x	2x

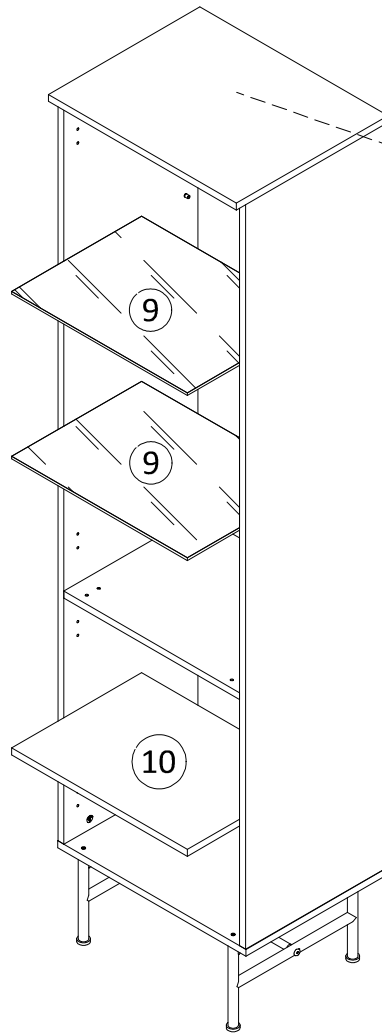
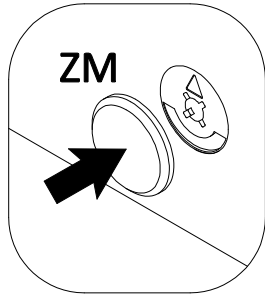
# 12



# 13



# 14



	ZM	PS
	12x	1x

- 1
- 2
- 3
- 4

# 15

